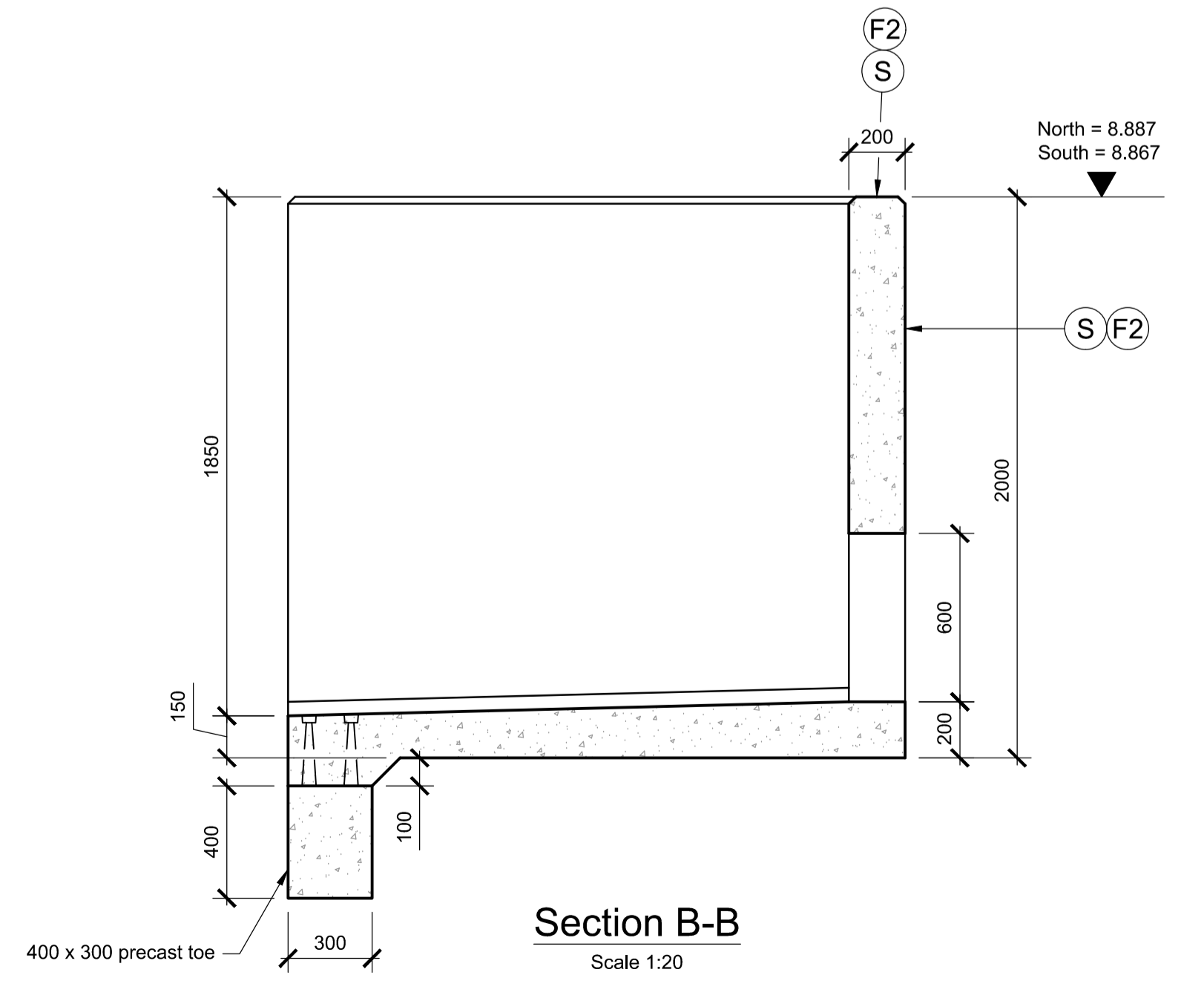
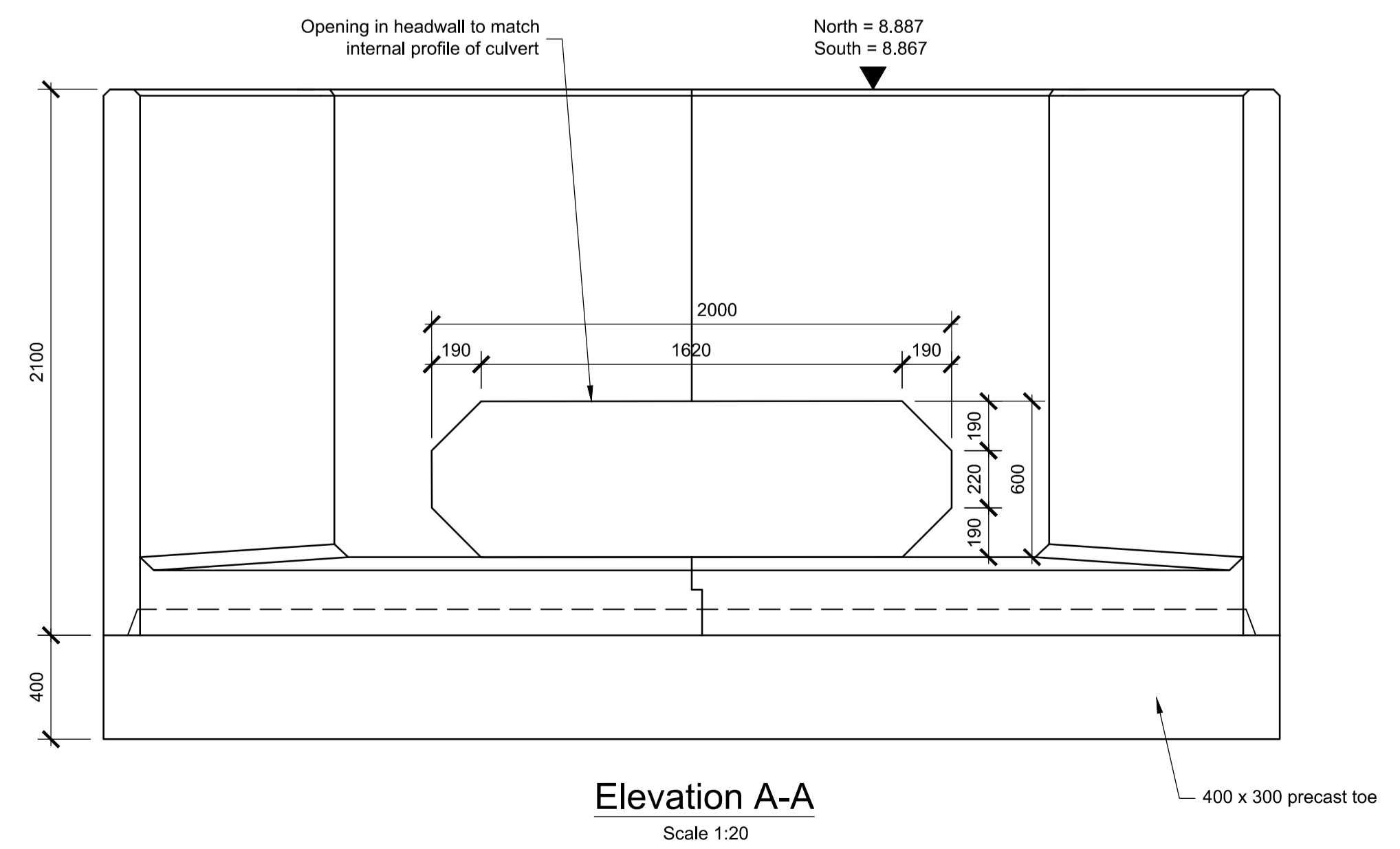
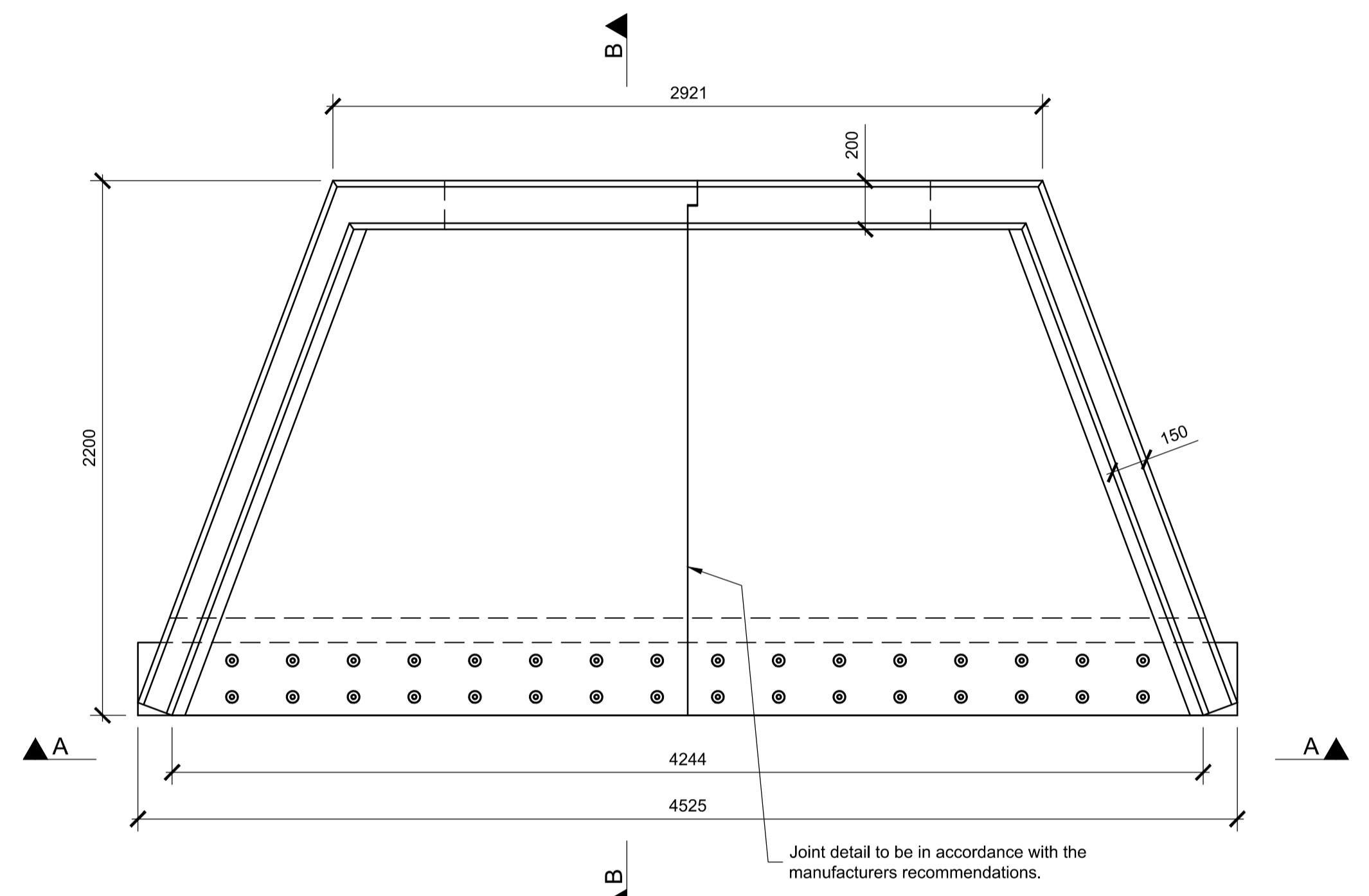
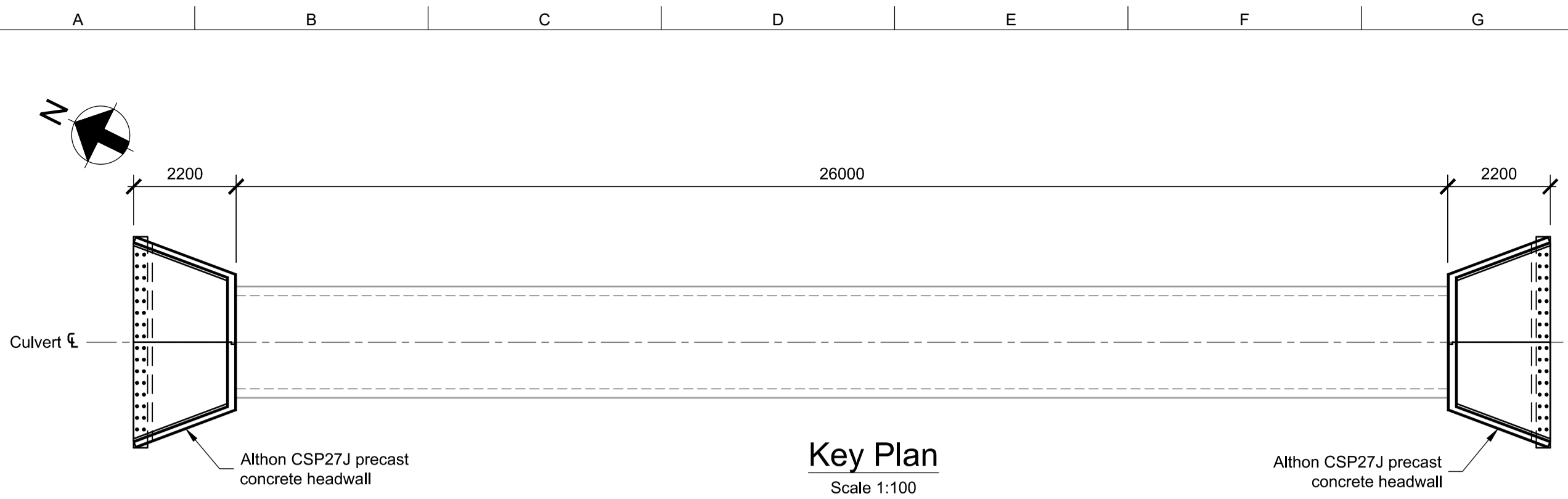


A1
1
2
3
4
5
6
7
8
9
10
11



- Notes:**
1. Refer to drawing TRB-ARP-XX-XX-DR-CB-10001 for notes.

P01	25/11/19	DP	KN	YBW
For Approval				
Rev	Date	By	Chkd	Appd

ARUP
Admiral House, Rose Wharf,
78 East Street, Leeds, LS9 8EE
Tel +44(0)113 242 8498 Fax +44(0)113 242 8573
www.arup.com



Project Title
**A18 Thorne Road
Dodge Dyke Culvert Replacement**

Drawing Title
**Precast Concrete Headwall Outline
and Details**

Scale at A1	As Shown
Role	Civil - Bridges
Suitability	S2 - Fit for Information
Arup Job No	264989-00
Name	TRB-ARP-XX-XX-DR-CB-10005
Rev	P01